



# 20kW<sup>1</sup> STANDBY GENERATOR

## BRIGGS & STRATTON® THE SMART CHOICE

For the discerning homeowner that is looking for the smartest, most reliable permanent backup power solution.

### FORTRESS™

Introducing our dealer exclusive line. Available at your local Briggs & Stratton Dealer with these great features:

- The industry's longest parts, labor and travel limited warranty
- Installed oil warmer for increased starting protection in colder weather



#### Unique Airflow Technology

- Making these models 50% quieter than most portable generators
- The unique design pushes engine exhaust out the front, directly away from your home

#### Flexible Placement

- Approved for installation as close as 18" to a building<sup>2</sup>

#### Symphony® II Power Management System

- Customizable to your home's needs
- Automatically balances the power of your home's electrical load including high wattage items like air conditioning units and electric ovens
- Offers whole house power with a more affordable home generator

#### Commercial-Grade Briggs & Stratton Vanguard™ Engine

- Powerful V-Twin OHV engine
- Easy conversion between natural gas (NG) and liquid propane gas (LP) during installation

#### Quality Clean Power

- Ensures your electronics are safely powered

#### Corrosion Resistant Enclosure & Base

- Made with automotive grade galvalume steel to resist rust
- Powder-coated paint for years of protection against chips and abrasions



### GENERATOR SET RATINGS

MODEL	VOLTAGE	PHASE	HZ	BREAKER	LIQUID PROPANE GAS		NATURAL GAS		LIMITED WARRANTY <sup>3</sup>
					LP kW	LP AMPS	NG kW	NG AMPS	PARTS, LABOR, TRAVEL
Fortress 040547	120/240	1	60	100	20	83.3	18	75	6 Year
Briggs & Stratton 040336	120/240	1	60	100	20	83.3	18	75	5 Year

<sup>1</sup> This generator is rated in accordance with UL (Underwriters Laboratories) 2200 (stationary engine generator assemblies) and CSA (Canadian Standards Association) standard C22.2 No. 100-04 (motors and generators).

<sup>2</sup> The installation manual contains specific instructions related to generator placement in addition to NFPA 37, including the requirement that carbon monoxide detectors be installed and maintained in your home.

<sup>3</sup> Warranty details available at [www.briggsandstratton.com](http://www.briggsandstratton.com)



**ENGINE SPECIFICATIONS**

ENGINE		LUBRICATION	
Engine Model	Briggs & Stratton Vanguard™	Oil Capacity (oz)	79
Engine Model Type Trim Number	613275-0003-E1	Lubrication System	Full Pressure
Engine Speed (RPM)	3600	Recommended Oil	5W30 Full Synthetic
Engine Fuel	Liquid Propane (LP) or Natural Gas (NG)	Low Oil Pressure Sensor	Yes
Engine Cylinder Configuration	OHV	ALTERNATOR SPECS	
Number of Cylinders	2	Manufacturer	Briggs & Stratton
Displacement (cc)	60.6 / 993	Type	Self-Excited, Rotation Field
Bore & Stroke (in)	3.37 / 3.41	Voltage Regulator	Automatic
Compression Ratio	8.5:1	Insulation	Class F
Governor Type	Electronic	CONTROLLER FEATURES	
Frequency Regulation	+/- .5%	Hour Meter	Yes
Valves	OHV with Hardened Seats	LED Digital Display	Yes
Ignition System	Fixed timing Magnatron® Electric Ignition	Fault Code Display	Yes
Starter Motor Rating Voltage	12 Volt	Weekly Exerciser	Yes
Battery	12 Volt		

**OPERATIONS**

FUEL CONSUMPTION <sup>1</sup>				SOUND RATING AT 7 METERS PER ISO 3744	
50% Load		100% Load		68.4 dBA	
Liquid Propane	83 ft <sup>3</sup> / hr	2.31 gal / hr	135 ft <sup>3</sup> / hr		
Natural Gas	187 ft <sup>3</sup> / hr	—	260 ft <sup>3</sup> / hr		

Lowest measurement of 12 microphones around generator. Sound level measurement at other locations around generator may be different depending upon installation configuration.

<sup>1</sup> Fuel consumption rates are estimated based on normal operating conditions. Generator operation may be greatly affected by elevation and the cycling operation of multiple electrical appliances – fuel flow rates may vary depending on these factors.



ADDITIONAL INFORMATION

OTHER FEATURES

<b>Enclosure Material</b>	Galvanneal Steel with Corrosion Resistant Paint
<b>Overcrank Protection</b>	Yes
<b>Engine Warm Up (sec)</b>	20 or 50 Automatic Transfer Switch Controlled
<b>Engine Cool Down (min)</b>	1
<b>Response Time (sec)</b>	26 or 56 Automatic Transfer Switch Controlled
<b>Monitoring Options</b>	Basic Wireless Monitor InfoHub™ Monitor
<b>Continuous Battery Charging</b>	Yes

WEIGHT AND DIMENSIONS

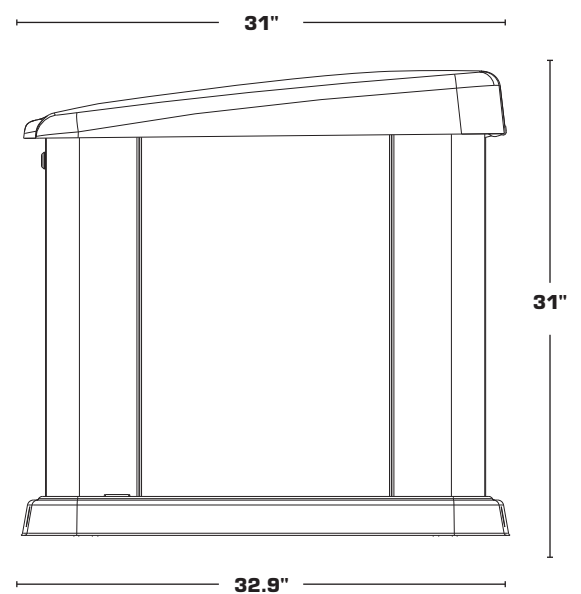
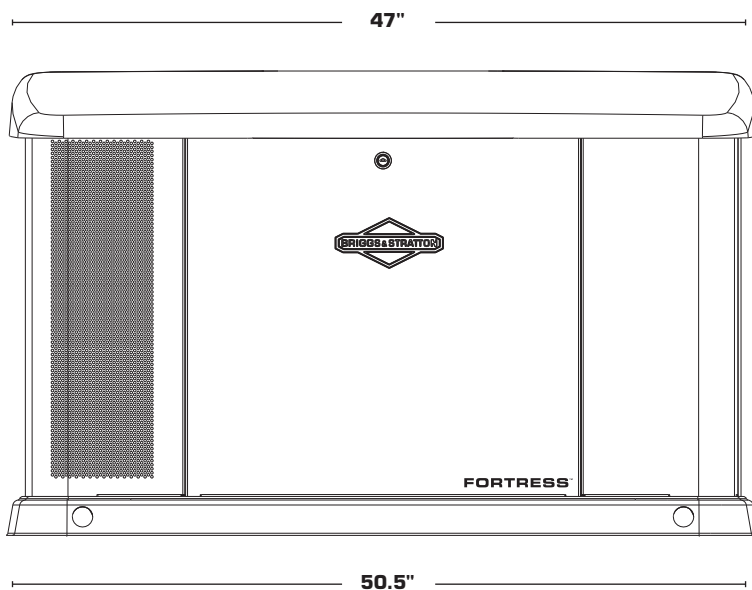
<b>Assembled Weight (lbs)</b>	500
<b>Overall Dimensions (in)</b>	50.5 x 32.9 x 31
<b>Packaged Weight (lbs)</b>	613
<b>Packaged Dimensions (in)</b>	68.1 x 41 x 39.5

CERTIFICATION

<b>CARB Compliant</b>	Yes
<b>NFPA Approved</b>	Yes
<b>cUL Listed to CSA 22.2 NO 100-04</b>	Yes
<b>NEMA Compliant</b>	Yes
<b>EPA Certified Fuel System</b>	Yes

AVAILABLE ACCESSORIES

<b>Maintenance Kit</b>	6035
<b>Cold Weather Kit</b>	Fortress 6404
	Briggs & Stratton 6231
<b>Basic Wireless Monitor</b>	6229
<b>InfoHub</b>	6260
<b>Remote Status Monitor</b>	6144





**FUEL PIPE SIZE RECOMMENDATION CHART (CAPACITY IN THOUSANDS OF BTU/HOUR)**

**Natural Gas/Inlet Pressure less than 2 PSI/ Pressure drop .05" w.c./ Specific Gravity 0.60**

	1/2" pipe capacity	3/4" pipe capacity	1" pipe capacity	1-1/4" pipe capacity	1-1/2" pipe capacity	2" pipe capacity
20' Length*	118	247	466	957	1,430	2,760
40' Length*	81	170	320	657	985	1,900
60' Length*	65	137	257	528	791	1,520
80' Length*	56	117	220	452	677	1,300
100' Length*	50	104	195	400	600	1,160

**Propane, Pipe/Tubing, Second, Single or Integral Twin Stage Pipe Sizing 11" Water Column Inlet with a 1/2" Water Column Drop Maximum Capacity of Pipe or Tubing**

	1/2" pipe capacity	3/4" pipe capacity	1" pipe capacity	1-1/4" pipe capacity	1-1/2" pipe capacity	2" pipe capacity
20' Length*	200	418	788	1,617	2,423	4,666
40' Length*	137	287	541	1,111	1,665	3,207
60' Length*	110	231	435	892	1,337	2,575
80' Length*	94	198	372	764	1,144	2,204
100' Length*	84	175	330	677	1,014	1,954

\*Total length of piping from outlet of regulator to appliance furthest away.

**ADDITIONAL INFORMATION**

**TRANSFER SWITCH SPECIFICATIONS**

<b>Prewired 16 Circuit</b>	100 AMP	Model #071076
<b>Standard 16 Circuit</b>	100 AMP	Model # 071047
<b>Symphony® II</b>	100 AMP	Model # 071071
<b>Symphony® II</b>	150 AMP	Model # 071070
<b>Symphony® II</b>	200 AMP	Model # 071068
<b>Symphony® II Dual 200 Amp</b>	2x200/400	Model # 071057
<b>Voltage Rating</b>	120/240	
<b>Number of Protected Circuits</b>	Select Circuit: 16 Symphony® II: Whole House	
<b>UL Approved</b>	Yes	
<b>NEMA 3R Rated</b>	Yes	

**SUPPORT EVERY STEP OF THE WAY**

**NEED HELP? Just call 800-759-2744**

Our technical support team is trained to answer questions on our generators, transfer switches and accessories.

**CALL TODAY FOR A FREE IN-HOME ESTIMATE!  
800-743-4115**

**Disclaimer:** Not for Prime Power or use where standby systems are legally required, for serious life safety or health hazards, or where lack of power hampers rescue of fire-fighting operations.

**BRIGGS & STRATTON**

POWER PRODUCTS GROUP, LLC  
POST OFFICE BOX 702  
MILWAUKEE, WI 53201 USA  
Copyright ©2016. All rights reserved. BS1007-D – 5/16